

Adjusting the screen length limits

We only recommend that experienced AV installers undertake these procedures:

A

Downward Adjustment

"-"=anticlockwise

Turning the A(Red) screw anticlockwise will REDUCE the black space above the viewing area.

"+"=clockwise

Turning the A (Red)screw clockwise will INCREASE the black space above the viewing area.

Turning the screw two complete revolutions will change the amount of black material approximately 1 inch.

B

Upward Adjustment

"-"=anticlockwise

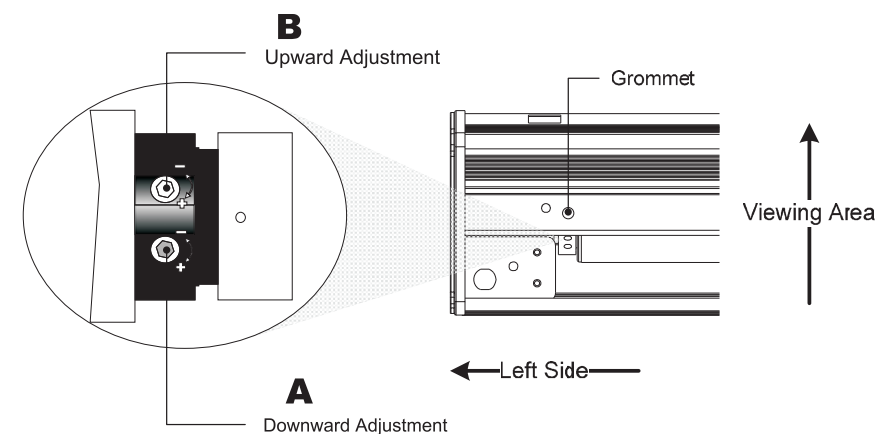
Turning the B(White)screw anticlockwise will cause the bottom rail to sit LOWER when the screen is closed.

"+"=clockwise

Turning the B(White) screw clockwise will cause the bottom rail to sit HIGHER when the screen is closed.

Turning the white screw two complete revolutions will change the amount of screen left hanging approximately 1 inch.

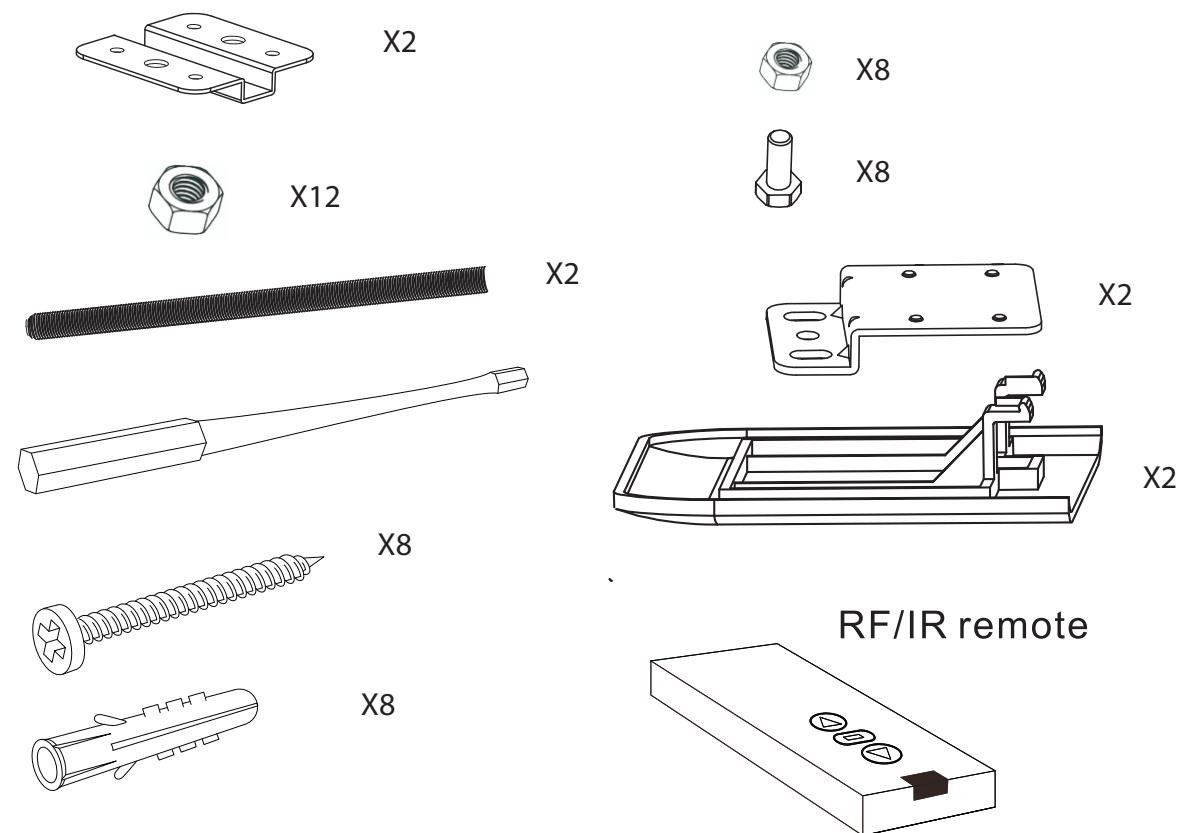
This is a factory setting limit and recommend that it is not altered.



*Lyft*systems

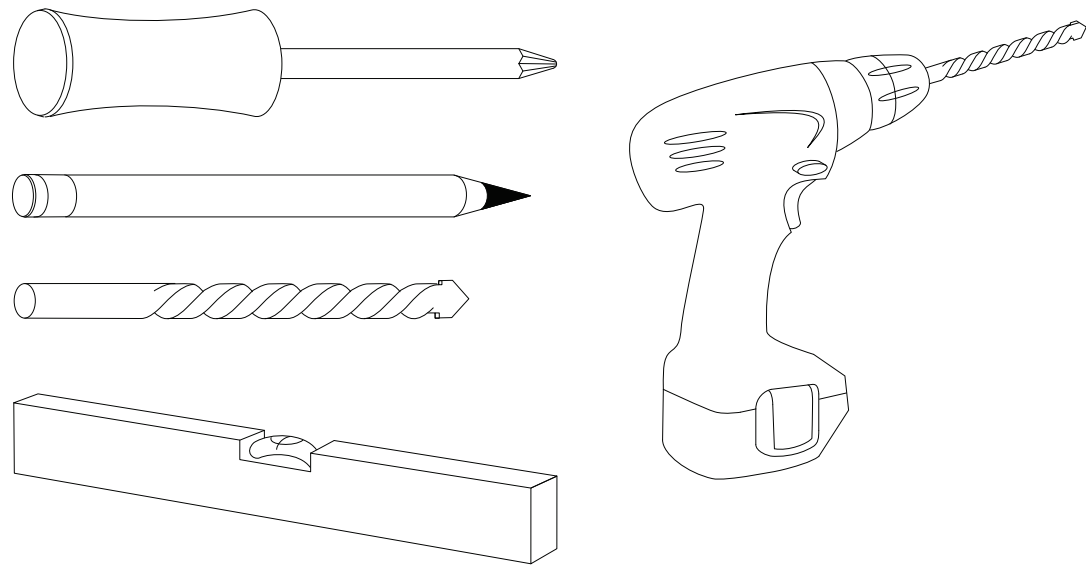
Mounting Instruction For Ceiling-Clean, In-Ceiling Motorised Projection Screen

Parts List



After installation please store instructions for future reference

tools required



WARNING: To reduce the risk of fire or electric shock, do not expose this apparatus in or near rain or moisture

1. Read and follow all instructions and warnings in this manual. Keep for future reference.
2. Do not use this apparatus near water.
3. Clean only with a dry cloth
4. Do not block any ventilation openings. Install according to manufacturer's instructions.
5. Do not install near any heat sources such as radiators, heat registers, stoves or other apparatus (including amplifiers) that produce heat.
6. Do not override the safety purpose of the polarized or grounding-type plug. A polarized plug has two blades-one wider than the other. A grounding type plug has two blades and a third grounding prong. The wide blade or the third prong is provided for your safety. If the provided plug does not fit into your outlet, consult an electrician for replacement of the obsolete outlet.
7. Protect the power cord from being walked on or pinched particularly at plug, convenience receptacles, and the point where it exits from the apparatus.
8. Only use attachments/accessories specified by the manufacturer.
9. Unplug this apparatus during lightning storms or when unused for long periods of time.
10. Refer all servicing to qualified service personnel. Servicing is required when the apparatus has been damaged in any way, such as when the power-supply cord or plug is damaged, liquid has been spilled or objects have fallen into the apparatus, the apparatus has been exposed to rain or moisture, does not operate normally, or has been dropped.
11. Do not expose this equipment to dripping or splashing, ensure that no objects filled with liquids, such as vases, are placed on the equipment.
12. To completely disconnect this equipment from the AC mains, disconnect the power supply cord plug from the AC receptacle.
13. To avoid overheating the motor, do not continually retract and lower the screen for over 3 minutes or more than 6 times.

TROUBLESHOOTING

Since Lyft screens are designed for years of trouble-free function, most problems that occur are due to simple issues. Please contact your authorised Lyft Systems provider/distributor should you encounter technical issue/s at: hello@lyft.systems.

Screen does not react to any control	<ul style="list-style-type: none"> ● Power cable to the film screen is incorrectly connected or plugged into an outlet that does not have power. ● Check connections and verify power on the outlet ● Check control method selected (IR or low voltage) and try an alternate method
Screen goes lower than desired or does not retract far enough	<ul style="list-style-type: none"> ● Adjust the up and down limits as described
IR/RF does not work	<ul style="list-style-type: none"> ● Check the batteries in the IR/RF remote that you are using ● Ensure that you are within range of the remote being used. The factory remote will work at a distance of up to 8m/30m most situations. ● Ensure that the connector for the Tab IR sensor is fully seated if that is the method you are using and that the IR emitter you are using (if applicable) is wired and operating properly. ● If you have chose to "hard-wire" the IR connection into a RJ-11 connector, be sure that you have the appropriate wires on the correct pins, as described in the RS232 control section.

Cleaning and Maintenance

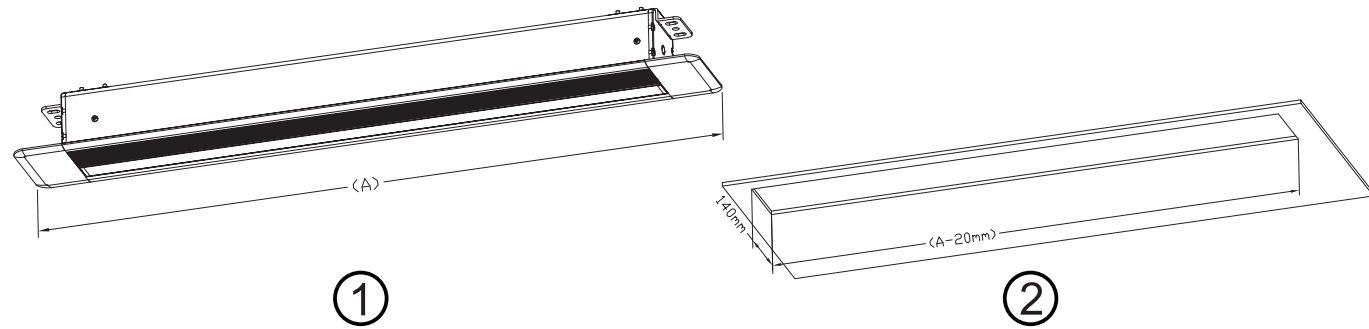
1. Do not clean the Screen case with water. Use a dry cloth and keep clear of dust and dirt on regular occasions
2. To clean the screen material, use warm soapy water only-never use chemicals or abrasives as this will damage the surface of the material which in turn will affect the viewing quality of your screen.



According to the surface of installation, choose the appropriate screws needed for mounting(Use Mounting Screws for wood surfaces, use Mounting Screws and Concrete Anchors for concrete surfaces). Explosion screws are needed depend on the material of installation Ensure the material of installation could support the weight of the screen always.

Preparing installation

Start by cutting a hole in your false ceiling as show below.



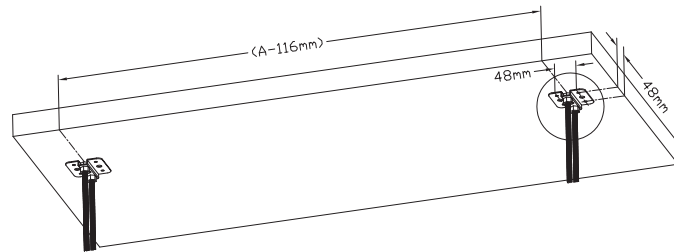
①

A total length of the casing including end cover plate
(as shown above)

②

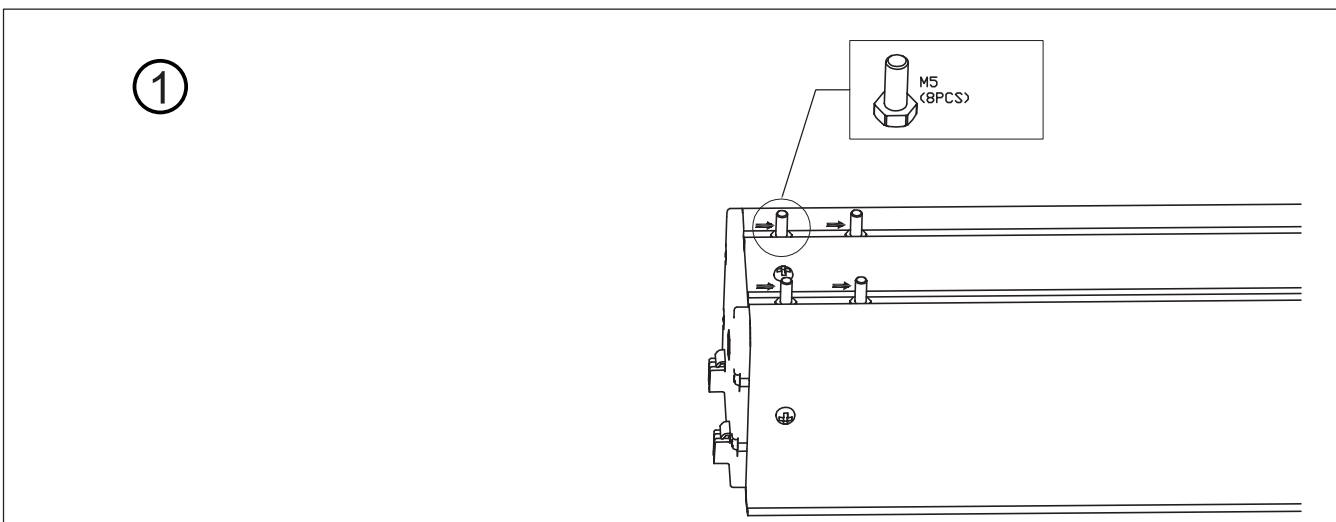
length of cut-out = $A-20\text{mm}$
width of cut-out = 140 mm for any size of casing

Measure and mark the place of fixing brackets



distance between central of fixing brackets= $A-116\text{mm}$
distance between central point of holes at fixing bracket=48mm
(as shown above)

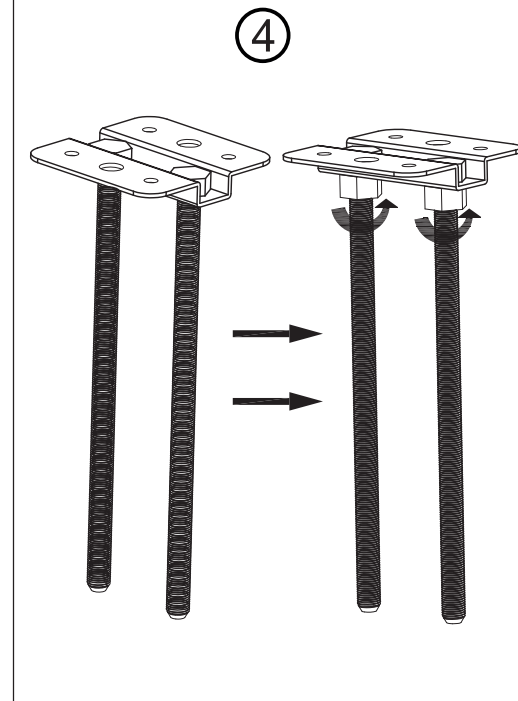
Installation



②

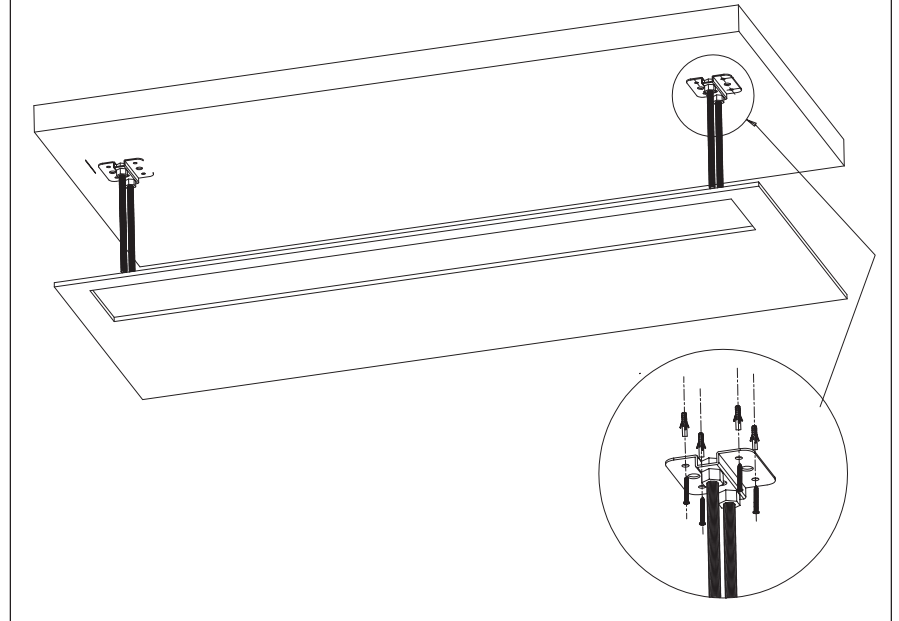
NO Room between bracket and end cap

③

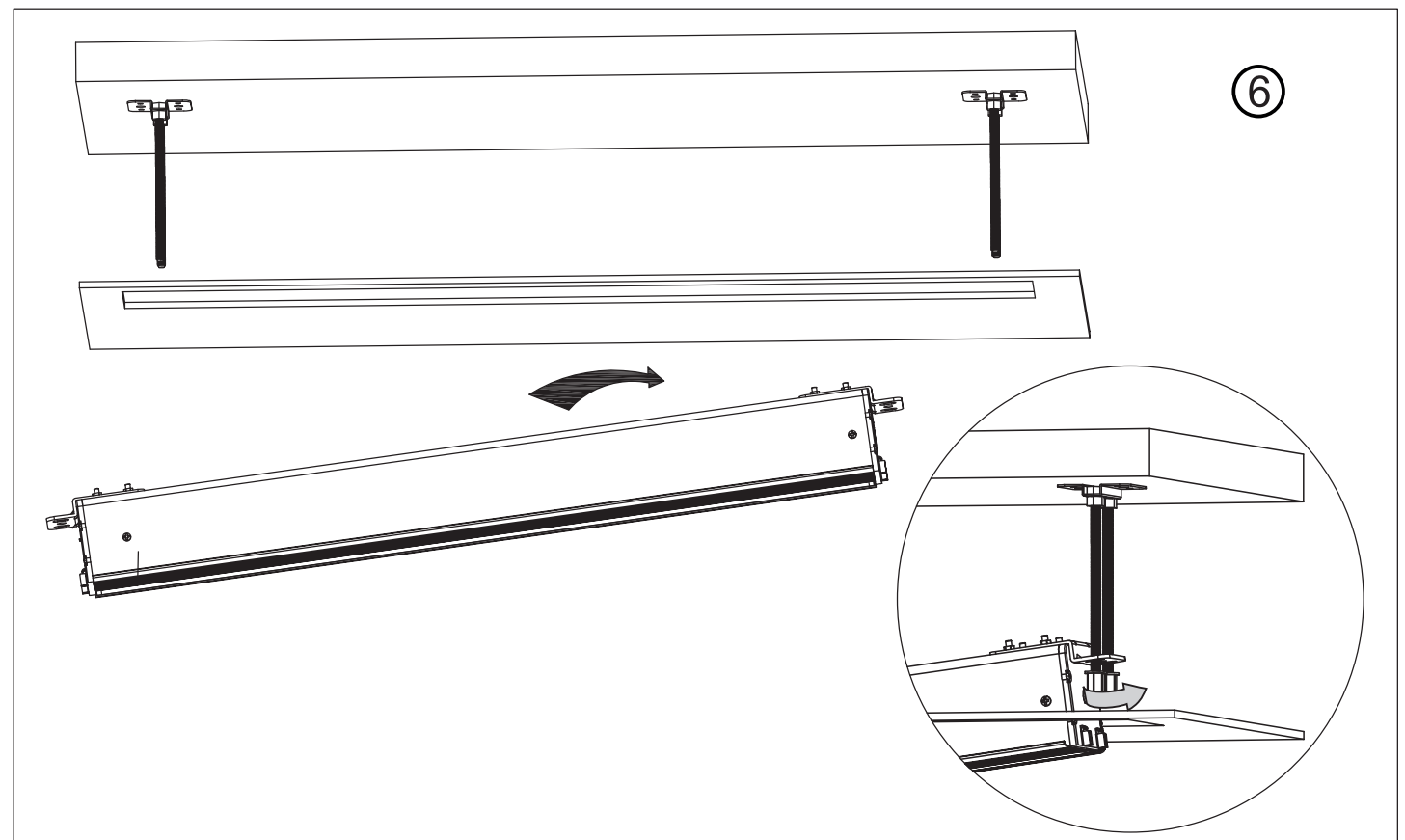


④

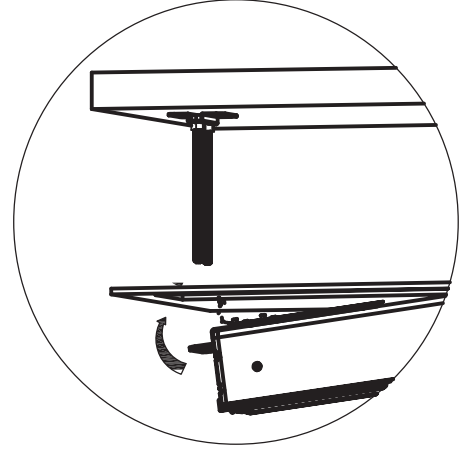
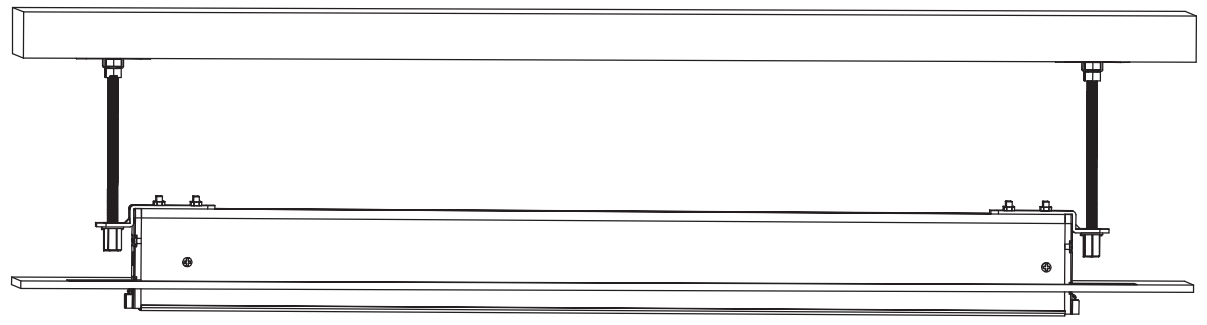
⑤



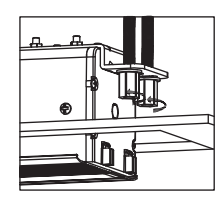
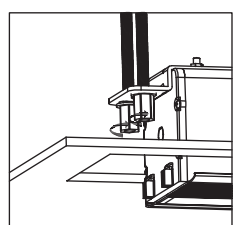
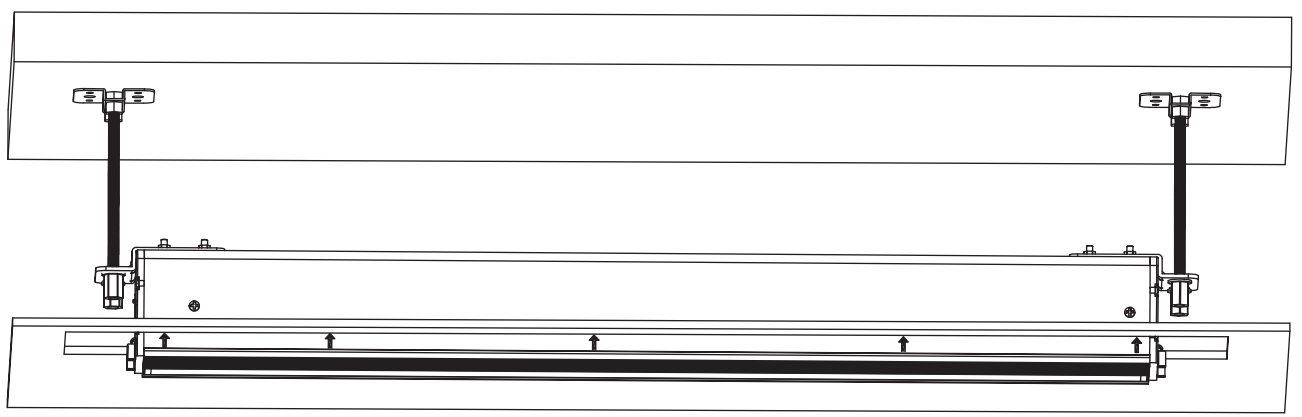
⑥



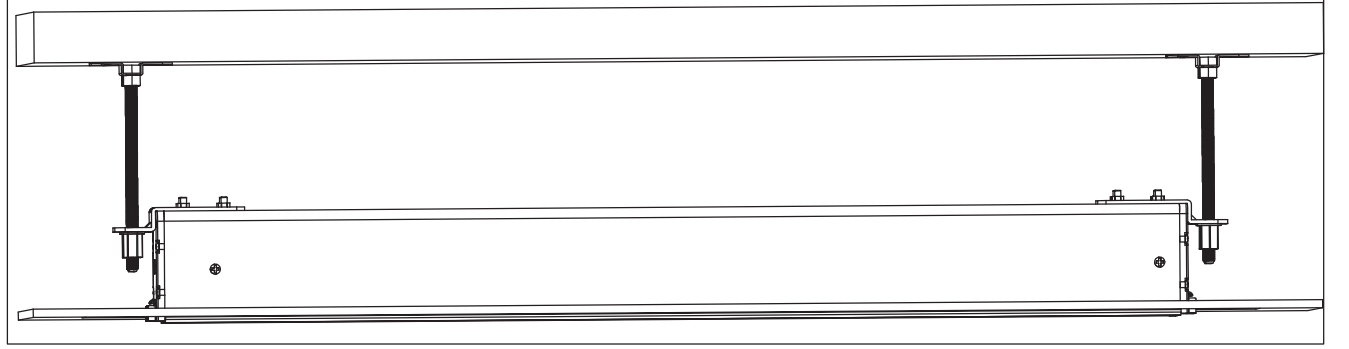
7



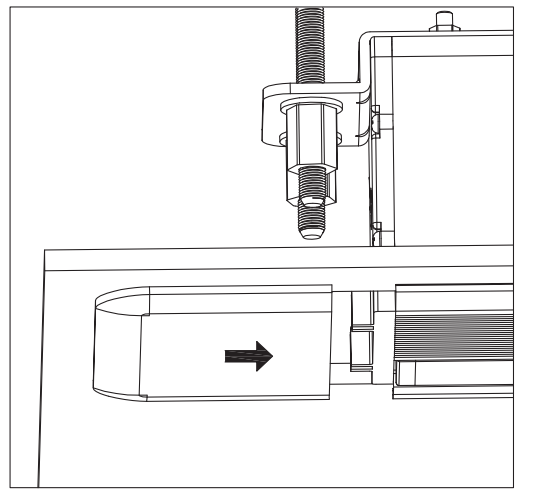
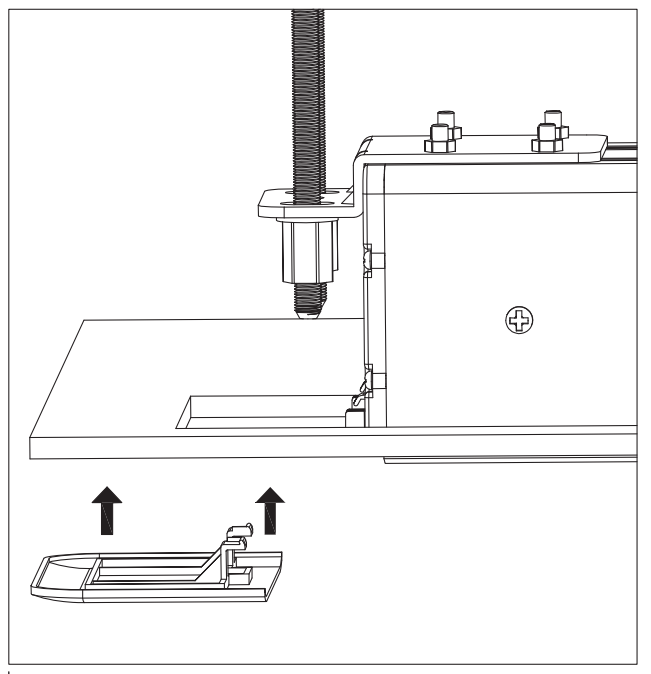
8



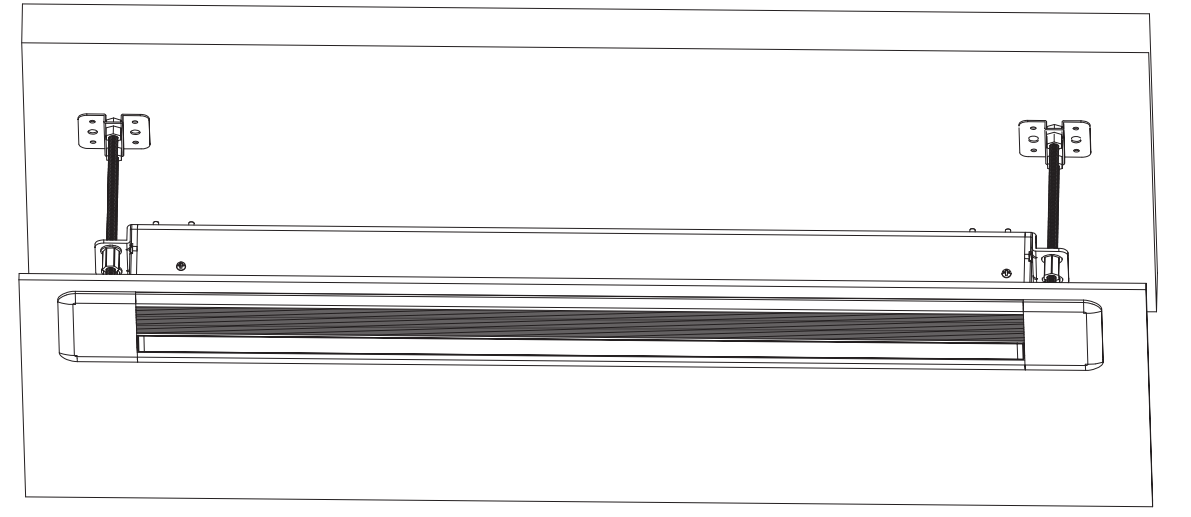
9



10



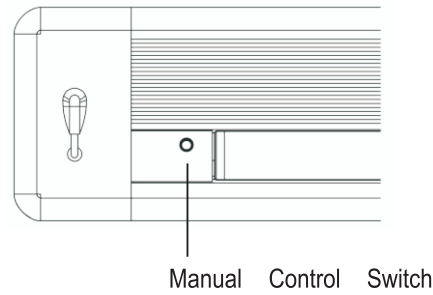
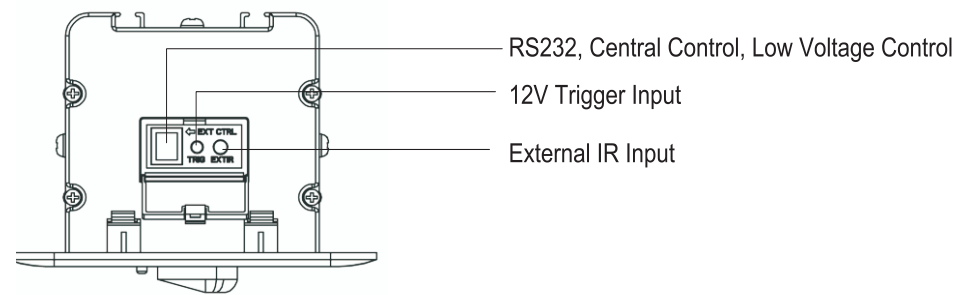
11



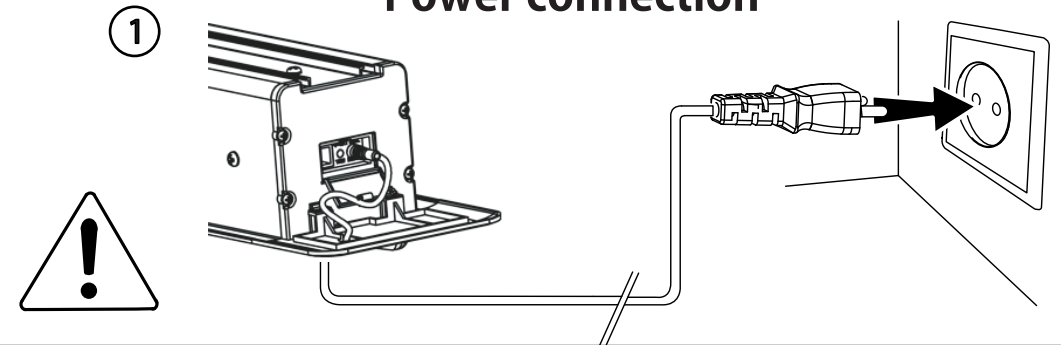


Please make sure connections are compatible and safe

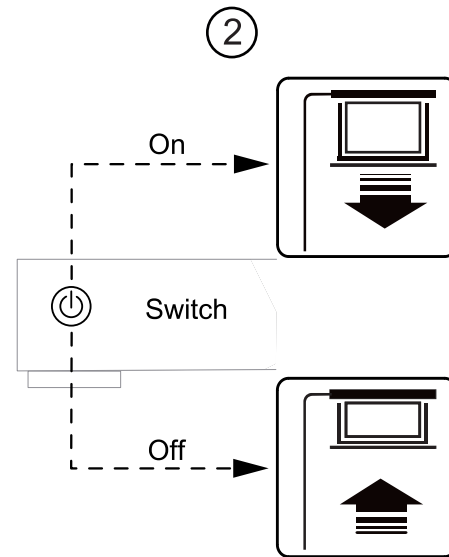
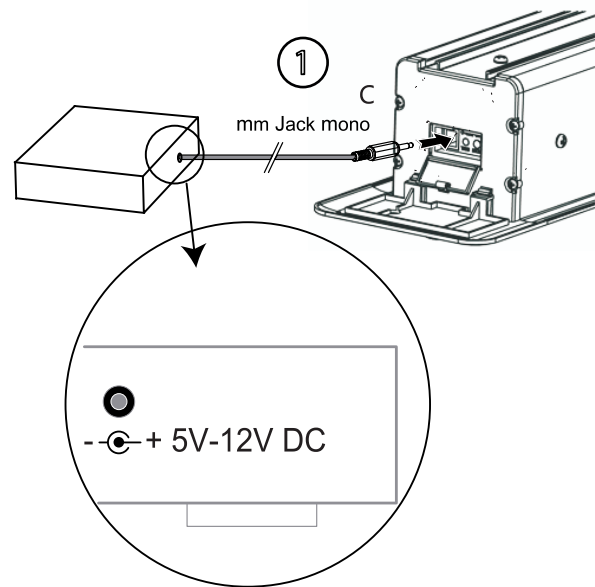
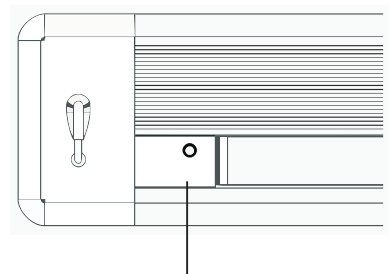
Side panel



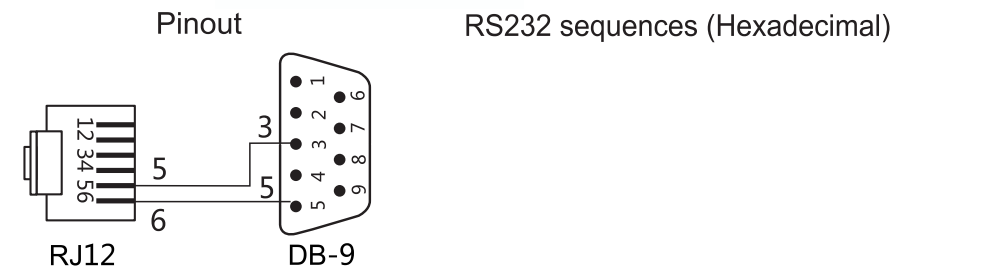
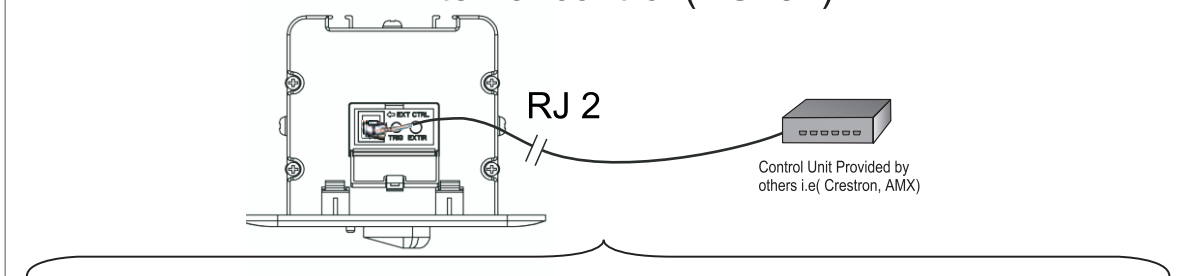
Power connection



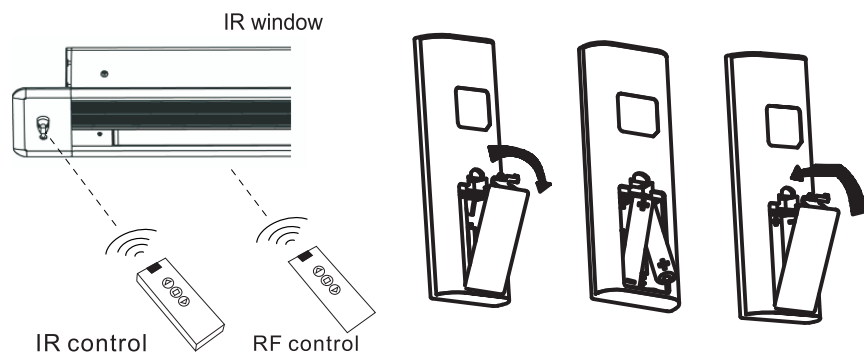
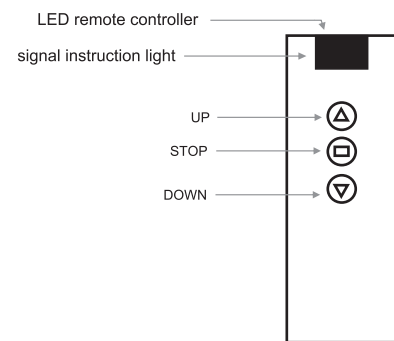
Automatic control (Trigger) Control methods



External control (RS232)



Radio Frequency/Infrared control



- Controller will work within 8meters(IR) /30meters(RF) from the screen.
- The controller will not work if the signal is covered by something.(IR)
- Keep the controller away from high temperature and humidity.
- Please change the battery when the signal is low.
- Please remove the battery from the remote control when the controller is not being used for a long time.
- Please use the same type of battery as originally supplied.

RS232 Central control wiring and setting information

RS232 central control:

RS232 setting 1 Baud rate: 2400
2 data: 8 codes
4 start: 1
5 stop: 1
For up: 0xFF,0xEE,0xEE,0xEE,0xDD
For down: 0xFF,0xEE,0xEE,0xEE,0xEE
For stop: 0xFF,0xEE,0xEE,0xEE,0xCC

IR code

For "UP": 0xD2,0x01,0xEE,0xC1
For "STOP": 0xD1,0x01,0xCC,0x9E
For "DOWN": 0xD0,0x81,0xDD,0x2E

