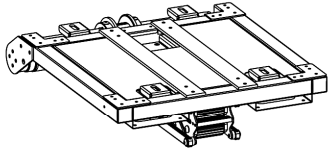
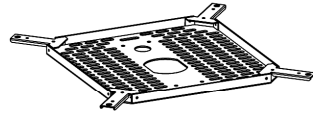


Parts list:

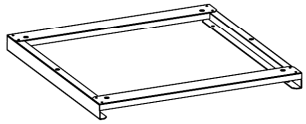
Main body X 1



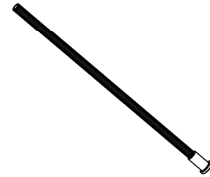
Support plate X 1



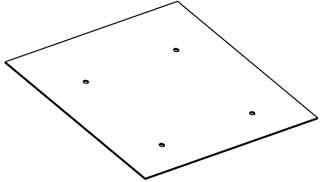
Decorative frame X 1



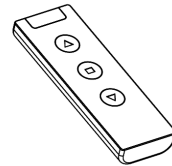
Threaded rod X 4



Measuring plate X 1



Remote controller X 1

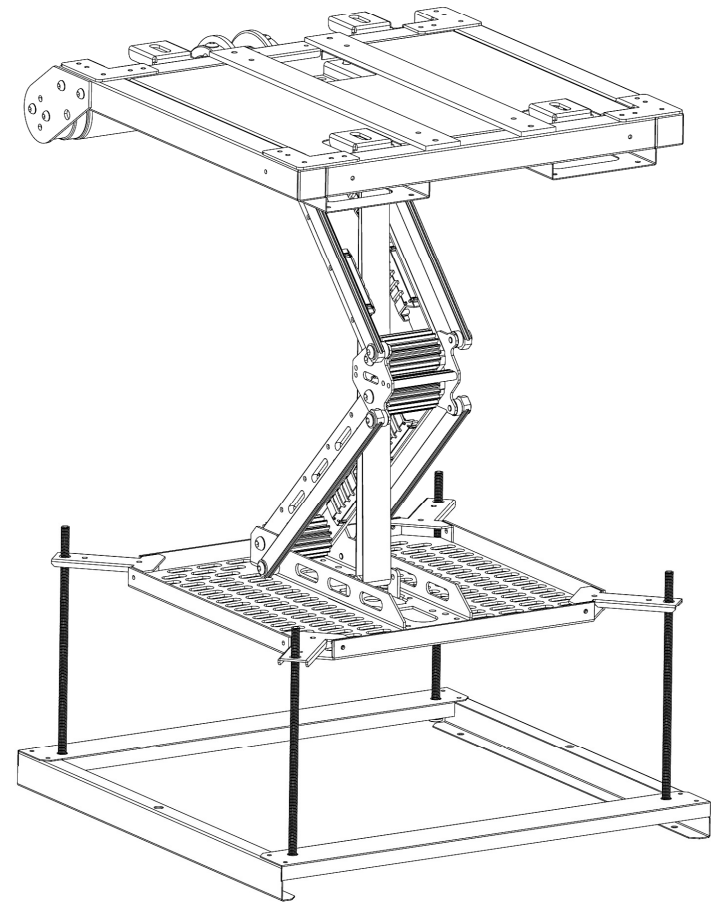


Main parts are as above, below are accessories:

1. Hexagon screw M6*8(X4), M4*16(X4)
2. Metal washer 20*1.5(X8)
3. Plastic washer 20*6(X8)
4. Concrete anchor M10*60(x4)
5. Allen key (X2)
6. Motor adjustment pen (X1)
7. Power cord (X1)
8. Instruction Manual

LyftSleek

Motorized Projector Lift



CAUTIONS: DO NOT OPERATE THE PROJECTOR LIFT WITHOUT ANY LOAD WEIGHT.



CE RoHS

Thunderstone Technology (S) Pte Ltd 61 Ubi Road 1, Oxley Bizhub #01-16 Singapore 408727
Tel: 67026577 Fax: 67026578 Sales: 81011688 | 81021688 | 87171688 lyftsystems@gmail.com

Profile

LyftS_lee_k is our latest design and with strict production control and quality inspection product. It has a good outlook appearance and meanwhile is easy for installation. It's a best choice for professional projectors.

Performance

1. Ultra thin body design to meet up with narrow installation place.
2. Smooth performance with low noise.
3. Overheat protection function.
4. Easy cabling installation.

Specifications

Spec. Model.	Body Size (mm)	Arm (sections)	Travel distance (mm)	Decorative plate (mm)	Load (kg)	Projector size (mm)	Distance from ceiling to false ceiling (mm)
LY-5	453*528*129	2	130-520	490*494	40	480*410	350-550
LY-10	453*528*210	4	210-990	490*494	40	480*410	450-1000

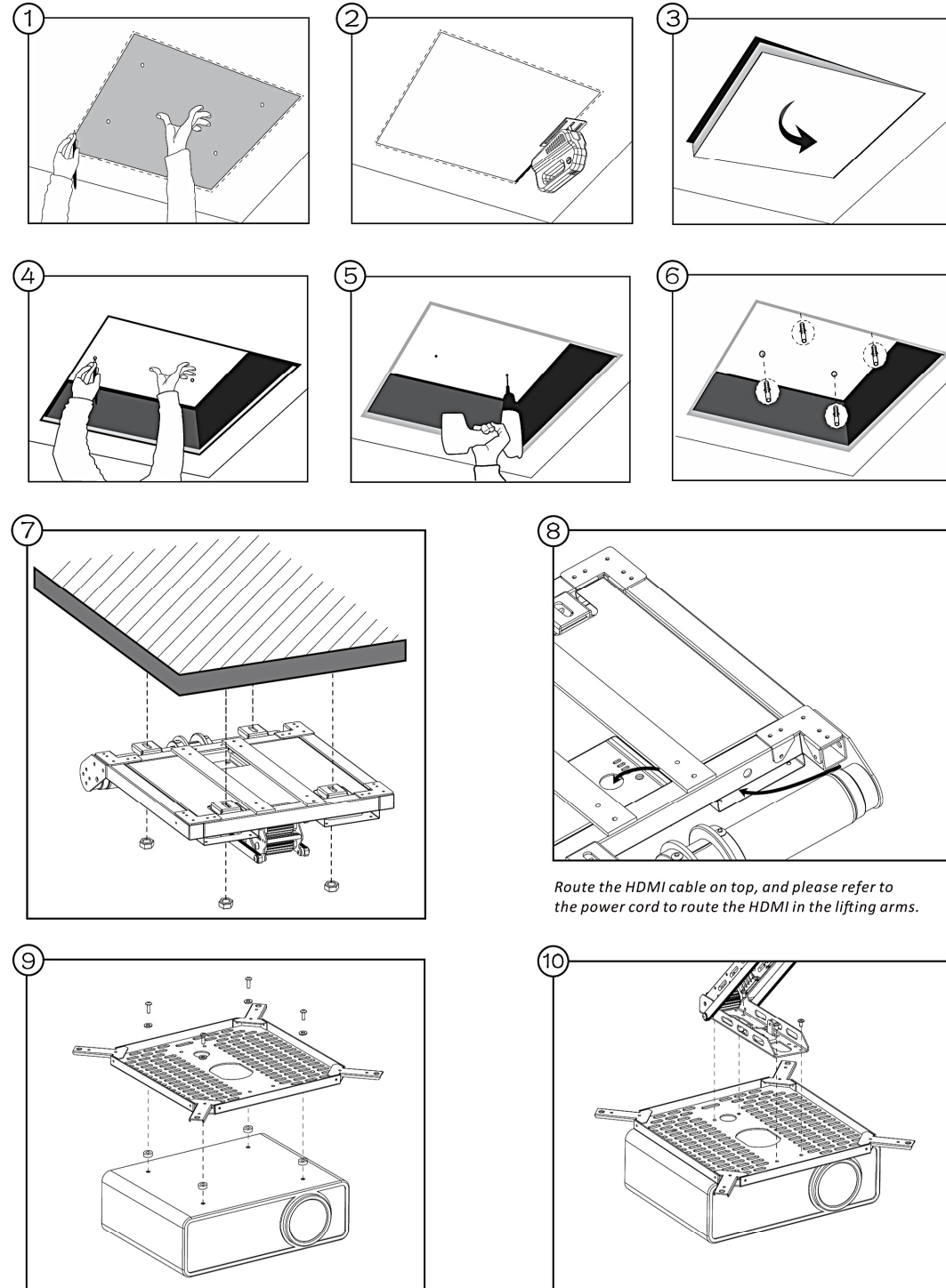
Operating environment for Indoor use only:

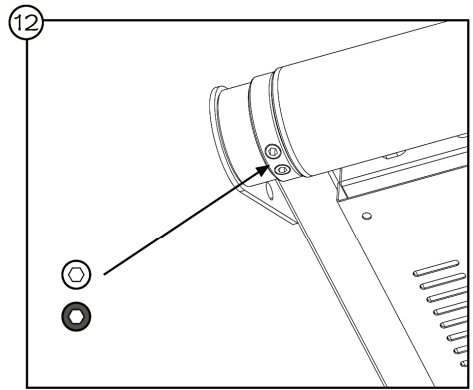
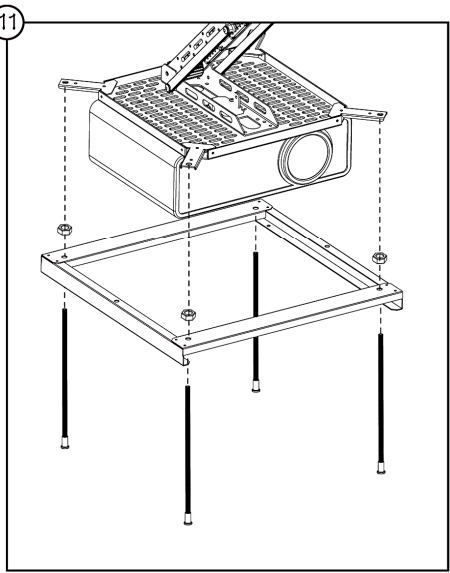
1. Temperature: -10° C ---- +40° C
2. RH: < 95%
3. Environment with non-corrosive gas
4. Environment without organic aerosol or inflammable and explosive gas
5. Voltage: 110V/220V (±10%)
6. Avoid violent vibration and collision

Installation steps:

1. Based on the screen size and the projector's focal distance to set the installation place, use the measuring board to mark underline on the false ceiling.
2. Cut out the hole as above underline.
3. Take the cut board out for later using.
4. Mark out 4 locations for screwing the expansion screws with the measuring board.
5. Drill out those 4 holes as the marks.
6. Screw an expansion screw into each hole.
7. Install the main body of the projector lift.
8. Install the necessary cables such as HDMI.
9. Fix the projector onto the support plate.
10. Assemble the main body and the support plate together with the lifting arms.
11. Install the decorative board.
12. Set up the UP and DOWN limits and the proper motion distance of the projector lift.
13. Adjust the threaded rod to balance the decorative frame with the false ceiling.
14. Slide the cut board into the decorative frame.

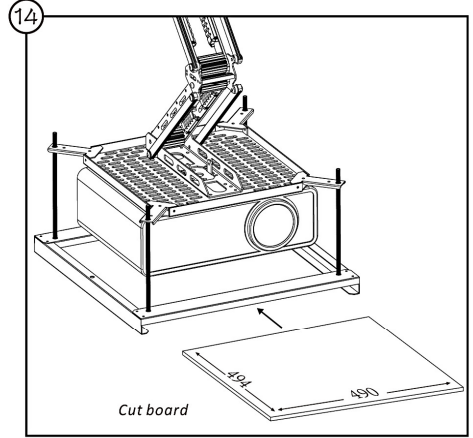
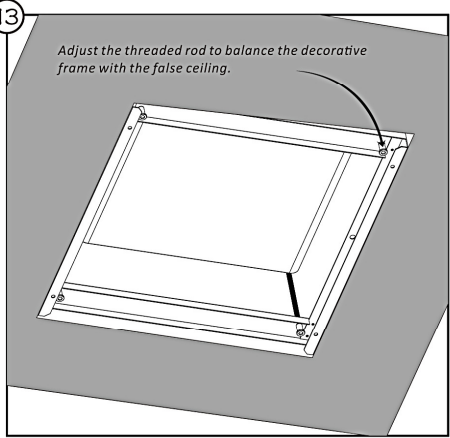
Installation Diagram:





White adjustment for DOWN limit
 Anticlockwise - increase the length of moving down.
 Clockwise - reduce the length of moving down.
 Attention: If it's in the DOWN limit statement, do not turn clockwise.

Red adjustment for UP limit
 Anticlockwise - increase the length of moving up.
 Clockwise - reduce the length of moving up.
 Attention: If it's in the UP limit statement, do not turn clockwise.



- Warnings:**
1. Do not do any adjustment without load weight.
 2. Ensure the expansion screws are fixed tightly and properly.
 3. To avoid any damages, make sure there's not any obstructions or people that may impact the product when operate the projector lift.
 4. Ensure the projector is installed in the central point to avoid losing the balance.
 5. Never operate the product in overloaded statement.
 6. Do not stretch hands or other objects into the lifting arm to avoid any injure or accident.

Precautions for use:

Please refer to below procedures to check if the projector lift is out of order.

1. Make sure the power cord connected properly and be with normal power supply.
2. Do not operate it frequently.
3. Let the motor stop for 15 minutes, then turn it on again to check if the motor is in overheating protection statement. If the problem still remains unsolved, please contact with us or the dealers for further assistance. Please do not disassemble or change the structure by your own.

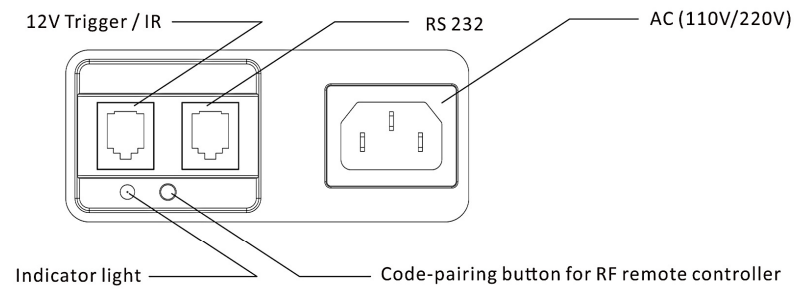
Troubleshooting:

We only recommend that experienced AV installers undertake these procedures:

If the projector lift does not work.

1. Restart it after 15 minutes to check if it's in overheating protection statement.
2. Check both terminals of the power cord to see if the problem occurs by the power supply.
3. If the voltage is normal, please check if there's any loose wires or burned fuse.

Control System



RS232 central control:

RS232 setting 1 Baud rate: 2400
 2 data: 8 codes
 4 start: 1
 5 stop: 1
 For up: 0xFF,0xEE,0xEE,0xEE,0xDD
 For down: 0xFF,0xEE,0xEE,0xEE,0xEE
 For stop: 0xFF,0xEE,0xEE,0xEE,0xCC

IR code
 For "UP": 0xD2,0x01,0xEE,0xC1
 For "STOP": 0xD1,0x01,0xCC,0x9E
 For "DOWN": 0xD0,0x81,0xDD,0x2E

